

THE SABER LIGHT

ATD-80010, ATD-80012, ATD-80014 & ATD-80016

Retractable Reel Installation and Operating Instructions

Installation Instructions for Table or Bench Mount

- 1) Choose a dry location within 2 feet of a 120 volt electrical outlet
- 2) Mount bracket directly into table or Bench (figure A)
- 3) Insert reel into bracket, use care to line up the mounting holes (figure B)
- 4) Secure reel to bracket using the 8" pin (figure B)
- 5) Once pin is fully inserted, secure 8" pin with cotter pin (figure B)
- 6) Adjust ball stop so T-Tap or light head hangs at your desired length
- 7) Plug power cord into your 120 volt electrical outlet.

Installation Instructions for Wall Mount

- 1) Choose a dry location within 2 feet of a 120 volt electrical outlet
- 2) Mount bracket directly into wall stud (figure A) leaving a minimum of 24" between the reel and the outside edge of the wall or door frame. **DO NOT MOUNT REEL TO DRYWALL OR ANY UNSUPPORTED WALL MATERIAL DIRECTLY**
- 3) Insert reel into bracket, use care to line up the mounting holes (figure B)
- 4) Secure reel to bracket using the 8" pin (figure B)
- 5) Once pin is fully inserted, secure 8" pin with cotter pin (figure B)
- 6) Adjust ball stop so T-Tap or light head hangs at your desired length
- 7) Plug power cord into your 120 volt electrical outlet.

Installation Instructions for Ceiling Mount

- 1) Choose a dry location within 2 feet of a 120 volt electrical outlet
- 2) Mount bracket directly into ceiling joist, beam of a reinforced ceiling. (figure A)
DO NOT MOUNT REEL TO DRYWALL OR ANY UNSUPPORTED CEILING MATERIAL DIRECTLY
- 3) Insert reel into bracket, use care to line up the mounting holes (figure B)
- 4) Secure reel to bracket using the 8" pin (figure B)
- 5) Once pin is fully inserted, secure 8" pin with cotter pin (figure B)
- 6) Adjust ball stop so T-Tap or light head hangs at your desired length
- 8) Plug power cord into your 120 volt electrical outlet.

(Figures A, B & C are for general reference only. Shown is the bench mount method.)

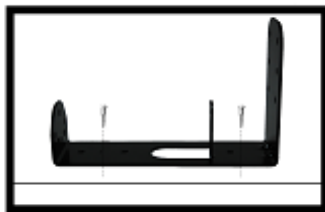


Figure A



Figure B



Figure C

Operating instructions

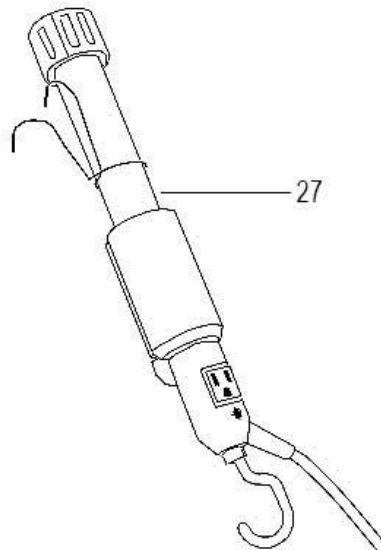
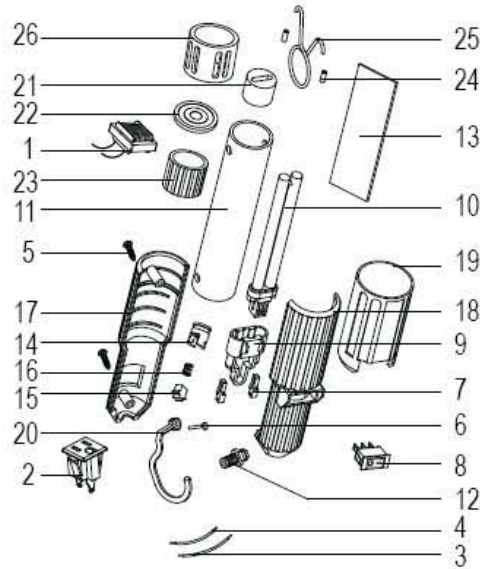
- 1) Fully extend and lock cord in place before using.
- 2) To lock, pull cord to desired length. **SLOWLY** let the cord retract back into the reel some, until you hear a clicking sound. Stop the cord from retracting when you hear the clicking sound. Cord should now be locked in place. If not, repeat previous instructions.
- 3) To retract cord, pull cord out a few inches until you feel the reel pulling the cord from your hand. **DO NOT LET GO OF THE CORD WHILE IT IS RETRACTING.** Hold onto cord until it is completely wound into the reel. Failure to do so may result in personal injury and/or damage to the reel itself.
- 4) To lock multi-angle bracket into place, pull looped spring loaded pin out, set reel to desired angle and release looped spring pin to engage into one of the holes to lock it.

Cautions

- **Do NOT overload circuit** - Check the amperage rating of the tool or appliance that you are using before connecting anything to the outlet(s) on this product to be sure that you are not overloading the circuit. The amperage rating of this reel can be found on the label on the reel itself. If the circuit breaker blows, unplug all devices and re-set the circuit breaker. Double check the amperage rating of your device before plugging it back in.
- **Do NOT service this reel light while it is plugged in.** It may cause electrical shock
- **Opening reel may cause injury.** Unit has a tightly wound clock spring for retraction.

ATD

ATD-80014 (LIGHT)

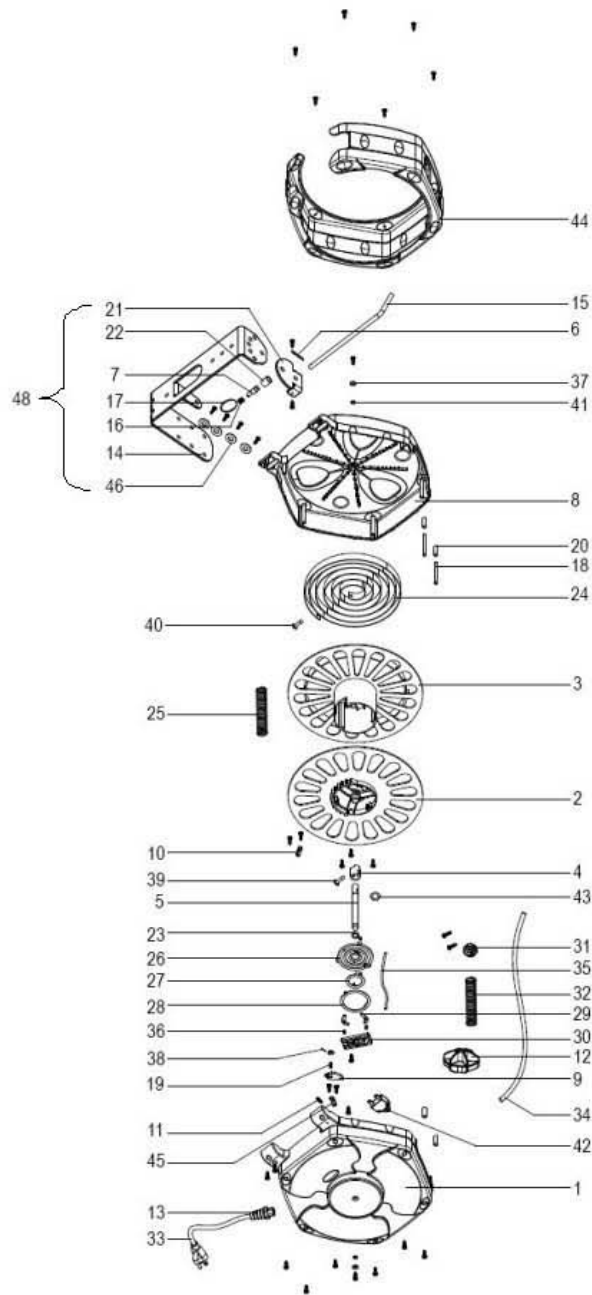


ITEM#	ORDERING PART#	PART DESCRIPTION
1	PRT80014-01	Ballast
2	PRT80014-02	Outlet
3	PRT80014-03	Wire, black
4	PRT80014-04	Wire, white
5	PRT80014-05	Screw, ST3.5*30
6	PRT80014-06	Rivet, φ3*16
7	PRT80014-07	Seat, Lamp holder
8	PRT80014-08	On/Off Switch
9	PRT80014-09	Lamp holder
10	EIKDT1365	Bulb
11	PRT80014-11	Clear tube
12	PRT80014-12	Strain relief
13	PRT80014-13	Reflecting paper

ITEM#	ORDERING PART#	PART DESCRIPTION
14	PRT80014-14	Holder, hook
15	PRT80014-15	Prop
16	PRT80014-16	Pressure spring
17	PRT80014-17	Handle, upper
18	PRT80014-18	Handle, lower
19	PRT80014-19	Protector, handle
20	PRT80014-20	Hook
21	PRT80014-21	Inner protector
22	PRT80014-22	Clear sheet
23	PRT80014-23	Outer protector
24	PRT80014-24	Sleeves, steel hook
25	PRT80014-25	Steel hook
26	PRT80014-26	Cover, head
27	ATD80098	Complete Head Assy w/1' Cord

ATD

ATD-80014 (REEL)



ITEM#	ORDERING PART#	PART DESCRIPTION
1	PRT80016-01	Housing, upper
2	PRT80016-02	Reel cover
3	PRT80016-03	Reel seat
4	PRT80016-04	Bushing
5	PRT80016-05	Shaft
6	PRT80016-06	Cotter pin *
7	PRT80016-07	Pin *
8	PRT80016-08	Housing, lower
9	PRT80016-09	Ratchet Pawl
10	PRT80016-10	Flange
11	PRT80016-11	Spring, small
12	PRT80016-12	Stop ball
13	PRT80016-13	Cord Sheath
14	PRT80016-14	Bracket *
15	PRT80016-15	Pin *
16	PRT80016-16	Spring *
17	PRT80016-17	Spring *
18	PRT80016-18	Roller
19	PRT80016-19	Ratchet Pawl Pin
20	PRT80016-20	Sleeve, roller
21	PRT80016-21	Bracket mount *
22	PRT80016-22	Sleeve, pin *
23	PRT80016-23	Ring
24	PRT80016-24	Retracting Spring

ITEM#	ORDERING PART#	PART DESCRIPTION
25	PRT80016-25	Spring
26	PRT80016-26	Terminal box, round
27	PRT80016-27	Small ring
28	PRT80016-28	Large ring
29	PRT80016-29	Copper pieces
30	PRT80016-30	Terminal box, square
31	PRT80016-31	Hoop
32	PRT80016-32	Spring
33	PRT80016-33	Power cord
34	PRT80016-34	Wire, output
35	PRT80016-35	Connective wire, black
36	PRT80016-36	Rivet, 3x5
37	PRT80016-37	Flat washer, 5
38	PRT80016-38	Split pin
39	PRT80016-39	Rivet, 5x18
40	PRT80016-40	Rivet, 5x8
41	PRT80016-41	Spring washer, 5
42	PRT80016-42	Circuit Breaker
43	PRT80016-43	Circlip
44	PRT80016-44	Protector, housing
45	PRT80016-45	Flange, wire
46	PRT80016-46	Big Washer, 5 *
48	PRT80016-48	Mounting Bracket (incl all * items)